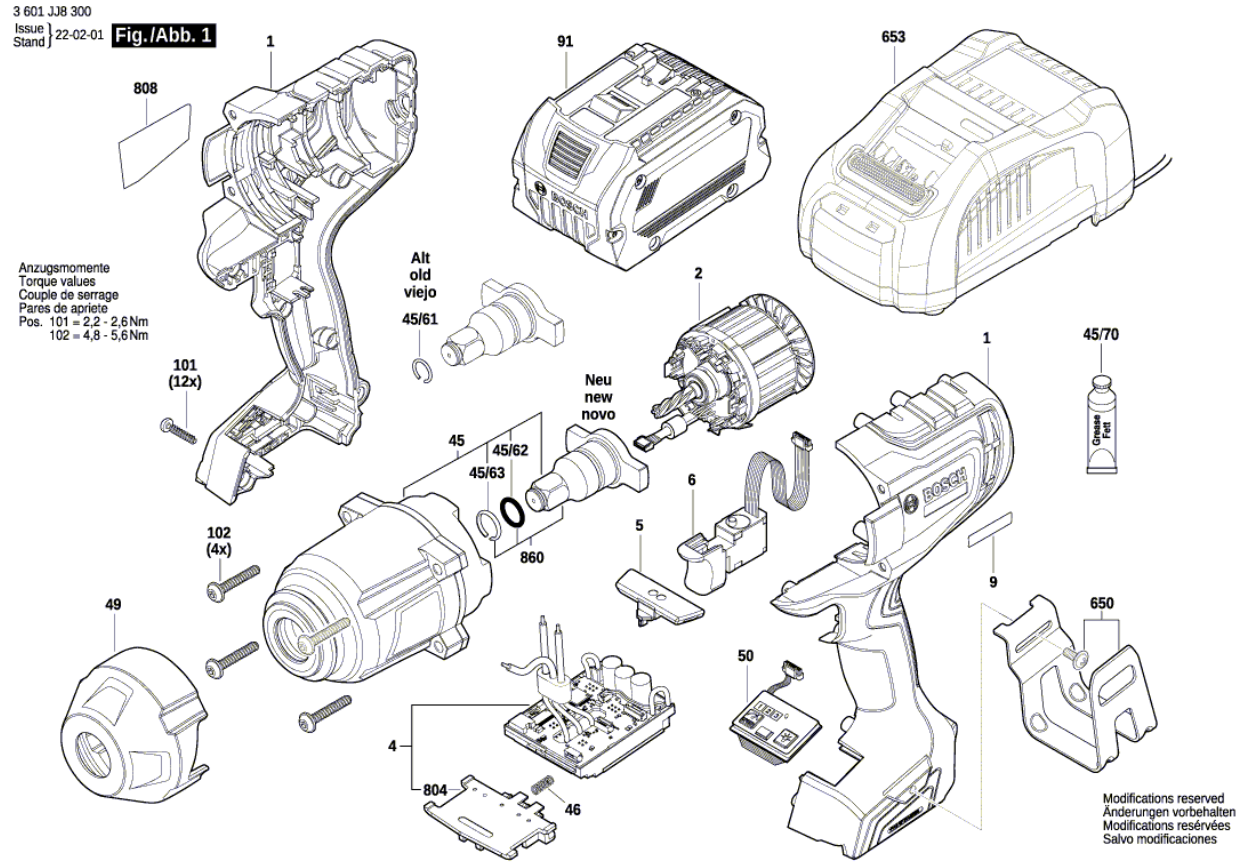


Illustration - Type - E



Spare parts list

Item	Part Number	Description	Illustration
1	1 605 806 64U	Housing	1
2	1 607 022 69Z	DC motor	1
4	1 607 233 5LG	Electronic Module	1
5	1 600 A01 P3K	Changeover Lever	1
6	2 607 202 501	Switch	1
9	1 601 11C 3U3	Manufacturer's nameplate	1
45	1 600 A01 RJ3	Gear Box	1
45/61	1 604 601 03M	Retaining ring	1
45/62	1 600 210 09U	O-Ring	1
45/63	1 604 601 03V	Retaining ring	1
45/70	1 600 A00 2NE	Grease Tube 45 ml	1
46	1 609 280 477	Compression Spring	1
49	1 600 A01 R1M	Cap	1
50	1 607 233 5MR	Electronic Module	1
91	1 607 A35 0AT	Battery Pack GBA 18V 8.0Ah ProCore SCM	1
91	1 607 A35 0LR	Battery Pack GBA 18V 5.5 Ah XL ProCore SCM	1
91	1 607 A35 12Z	Battery Pack	1
91	2 607 337 069	Battery Pack BBS MR, 18V, 5,0 Ah 48 S	1
101	2 603 490 023	Torx Oval-Head Screw 4x20	1
102	1 603 435 098	Torx Oval-Head Screw M5x40	1
650	1 600 A02 3G7	Clip	1
653	2 607 225 921	Charger EU GAL 1880 CV 230/14,4-18V	1
653	2 607 225 923	Charger GB 230/10,8-18V, 30 42 S	1
653	2 607 226 251	Fast Charger EU GAL 18V-40, 230V/10,8V – 18V	1
804	1 609 280 820	Contact retainer 18V	1
808	1 600 A02 2TL	Type Label	1
860	1 600 A02 801	Coupling Half	1